

# **Viscoelastic or Viscoplastic Glucose Theory (VGT #56): Using the VGT Tool to Estimate the Relative Energy Associated with Different Calculated Annual Cancer Risk Percentages Under the Influence of Estimated Average Glucose (eAG) and Body Weight in the Early Morning (BW) over two 5-Year Periods, Y2012-Y2016 and Y2017-Y2021, Based on GH-Method: Math-Physical Medicine (No. 644)**

Gerald C Hsu

EclaireMD Foundation, USA

**\*Corresponding author**

Gerald C. Hsu, EclaireMD Foundation, USA

**Submitted:** 15 Jun 2022; **Accepted:** 21 Jun 2022; **Published:** 09 Jul 2022

**Citation:** Gerald C Hsu. (2022). *Viscoelastic or Viscoplastic Glucose Theory (VGT #56): Using the VGT Tool to Estimate the Relative Energy Associated with Different Calculated Annual Cancer Risk Percentages Under the Influence of Estimated Average Glucose (eAG) and Body Weight in the Early Morning (BW) over two 5-Year Periods, Y2012-Y2016 and Y2017-Y2021, Based on GH-Method: Math-Physical Medicine (No. 644).* *J App Mat Sci & Engg Res*, 6(2), 01-11.

## **Abstract**

The author was a professional engineer working in the fields of the space shuttle, naval battleships, nuclear power plants, computer hardware and software, artificial intelligence, and semiconductor chips. After his retirement, he started to self-study and research internal medicine with an emphasis on biomarker relationships exploration and disease prevention. Since 2010, he has utilized the disciplines learned from 7 different universities along with various work experiences to formulate his current medical research work during the past 13 years.

In engineering and medicine, he discovered that we frequently seek answers, illustrations, or explanations for the relationships between the input variable (force applied on a structure or cause of a disease) and output variable (deformation of a structure or symptom of a disease). However, the multiple relationships between input and output could be expressed with many different matrix formats of  $1 \times 1$ ,  $1 \times n$ ,  $m \times 1$ , or  $m \times n$  ( $m$  or  $n$  means different multiple variables). In addition to these described mathematical complications, the output resulting from one or more inputs can also become an input of another output, which is a symptom of certain causes that can become a cause of another different symptom. This phenomenon is a complex scenario with "chain effects". In fact, engineering and biomedical complications are fundamentally mathematical problems that correlate or conform with many inherent physical laws or principles.

Over the past 13 years, in his medical research, he has encountered more than 100 different sets of biomarkers with almost equal amounts of cause/input variables versus symptom/output variables. For example, food and exercise influence both body weight and glucose level, where persistent high glucose can result in diabetes. When diabetes combines with hypertension (high blood pressure) and hyperlipidemia (high blood lipids), it can cause cardiovascular diseases. Furthermore, obesity and diabetes are also linked with various kinds of cancers. These multiple sets of biomedical input versus output have been researched by the author using different tools he has learned from academic fields of mathematics, physics, computer science, and engineering.

For example, he has applied a signal processing technique to separate 19 components from the combined postprandial plasma glucose (PPG) wave. He identified the carbs/sugar intake amount and post-meal exercise as the two most important contributing factors to PPG formation. Based on these findings, he then applied the theory of elasticity to develop a linear elastic glucose theory (LEGT) to predict PPG value with high prediction accuracy, using fasting plasma glucose (FPG), carbs/sugar intake grams, and post-meal walking  $k$ -steps as three major input components of predicted PPG formation.

Furthermore, he took a specific PPG waveform in the time domain (TD) and applied the fast Fourier transform (FFT) technique to convert it into a waveform in the frequency domain (FD). The  $y$ -axis value in the frequency

diagram indicates the magnitude of energy corresponding to a certain frequency component on the x-axis, while the total area underneath the frequency-energy curve is the total relative energy associated with this specific PPG wave. He calls this relative energy the “frequency energy”.

Recently, he has also applied theories of viscoelasticity and viscoplasticity (VGT) in physics and engineering to various biomedical problems and has written more than 50 biomedical research papers. This VGT application emphasizes the time-dependency characteristics of certain variables. In the medical field, most biomarkers are time-dependent since body organ cells are organic in nature and change all of the time. Incidentally, VGT can generate a stress-strain curve or cause-symptom curve (in physics, it is called the “hysteresis loop”), which area size can also be used to estimate the relative energy created during the uploading (e.g. digesting carbs/sugar) and unloading (e.g. walking exercise) process over the timespan of a PPG wave. He calls this relative energy the “VGT energy”.

Body weight (BW) is easily measured by using a bathroom scale. Weight in the early morning is highly correlated with fasting plasma glucose (FPG) or the average glucose during sleeping hours. FPG also serves as the baseline for postprandial plasma glucose (PPG) and contributes around 25% to 29% of daily estimated average glucose (eAG). The daily average glucose levels or quarterly HbA1C values, and average eAG over the past 90-115 days, determine the severity of diabetes. This medical condition is one of the major influential chronic diseases that may increase certain risk factors for heart diseases, such as cardiovascular disease (CVD). Diabetes is also related to many types of cancers based on the common root cases, regardless of vast differences in symptoms.

Since 2012, the author has been collecting his BW and finger-piercing glucose values every day. In addition, he accumulates medical conditions data including blood pressure (BP), heart rate (HR), and blood lipids along with lifestyle details (LD). Based on the collected big data, he further organized them into two main groups. The first is the medical conditions group (MC) with 4 categories: weight, glucose, BP, and blood lipids. The second is the LD group with 6 categories: food & diet, exercise, water intake, sleep, stress, and daily routines. At first, he collected his data daily since Y2012 and then calculated a unique combined daily score for each of the 10 categories within the MC and LD groups. The combined scores of the 2 groups, 10 categories, and 500+ detailed elements constitute an overall “metabolism index (MI) model”. This model includes the root causes of 6 major lifestyle inputs and symptoms from 4 rudimentary chronic diseases: obesity, diabetes, hypertension, and hyperlipidemia. Therefore, it can serve as the foundation and building block for his additional research work that can expand into various diseases associated with different organs, such as CVD and cancers.

As we know, lifestyle details cause rudimentary chronic diseases which further influence more complicated diseases, such as heart problems (CVD & CHD), chronic kidney disease (CKD), stroke, diabetic retinopathy (DR), neuropathy, hypothyroidism, diabetic constipation, diabetic skin fungal infection, and many others including cancers and dementia. Some genetic conditions and lifetime unhealthy habits, such as smoking, alcohol consumption, and illicit drug use would account for approximately 15% to 25% of the chronic disease root causes along with their complications, including cancers and dementia. Some external factors, environmental factors, and viral infections, such as radiation, air and water pollution, food poison and pollution, toxic chemicals, and hormonal therapy can also contribute to the causes of cancers.

**All of the above-mentioned diseases fall into the category of “symptoms” which are the outcomes of “root causes” of poor living environments and unhealthy lifestyles.**

His calculated risk probability % for CVD, stroke and various cancers have differences in their root-cause variables, their associated weighting factors, and certain biomedical assumptions. Specifically, the CVD/Stroke risk includes two major scenarios that combine emphasized weighting factors, **blood vessel blockage due to blood glucose and blood lipids, and blood vessel rupture caused by blood glucose and BP.** However, **the cancer risk also consists of additional influential factors from environmental conditions and viral infections, on top of genetic conditions, 3-lifetime unhealthy habits, 4 chronic medical conditions, and 6 lifestyle details that are identical to the CVD risk.**

Since December 2021, the author has applied theories of viscoelasticity and viscoplasticity (VGT) from physics and engineering disciplines to investigate more than 50 sets of input/output biomarkers. His purpose is to identify certain hidden relationships between output biomarkers, e.g. CVD risk or Cancer risk, and their corresponding input biomarkers, such as eAG, FPG, and BW measured either during sleeping hours or in the early morning.

The hidden biophysical behaviors and possible inter-relationships among these three biomarkers, CVD or stroke risk vs. eAG and BW, are “time-dependent” and change from time to time. **This important time-dependency characteristic provides insight on the CVD/Cancer risk’s moving pattern. It covers curve shape, the associated energy created or stored inside during the process of stress up-loading (moving upward or increasing) and stress down-loading (moving downward or decreasing) of the input biomarkers of eAG or BW along with the output biomarker of CVD or Cancer risk %.**

The purpose of this research article is to explore a possible link between Cancer risk probability percentage (Cancer risk %) versus daily estimated average glucose (eAG) or body weight (BW) in the early morning, using the VGT model. In this article, he selects 10 years of collected data and then groups them into two 5-year periods, Y2012-Y2016 and Y2017-Y2021. Within each period, he uses 5 individual annual data. This selected dataset contains 3 key biomarkers, Cancer risk % as the symptom (output) and daily estimated average glucose (eAG) or BW in the early morning as the causes (inputs) to conduct his VGT analysis. Now, he can apply VGT specifically to construct 2 stress-strain diagrams with 2 hysteresis loop areas that correspond to the energy status from the input variable of both eAG and BW. The purpose of this study is to obtain and compare the calculated relative energy levels in each period using the VGT energy approach.

The following defined stress and strain equations are used to establish the VGT stress-strain diagram in a space domain (SD):

**VGT strain**  
=  $\varepsilon$  (symptom)  
= individual symptom at the present time

**VGT Stress**  
=  $\sigma$  (based on the change rate of strain, symptom, multiplying with one or more viscosity factors or causes)  
=  $\eta * (d\varepsilon/dt)$   
=  $\eta * (d\text{-strain}/d\text{-time})$   
= (viscosity factor  $\eta$  using normalized cause at present time) \* (symptom at present time - symptom at a previous time)

Where the strain is his Cancer risk % and the stress is his Cancer risk change rate multiplying with his eAG or BW as two viscosity factors.

In this study, he uses 120 mg/dL and 170 lbs. as his normalization factors for eAG and BW respectively. 120 mg/dL is the dividing line between diabetes-free and pre-diabetes and 170 lbs. determines his BMI at 25.0.

To offer a simple explanation to readers who do not have a physics or engineering background, the author includes a brief excerpt from Wikipedia regarding the description of basic concepts for elasticity and plasticity theories, viscoelasticity, and viscoplasticity theories from the disciplines of engineering and physics in the Method section. In conclusion, the following four described biophysical characteristics have demonstrated the key behaviors of cancer risk using the VGT energy approach:

(1) When body weight drops continuously over the two 5-year periods, his eAG also decreases accordingly. This eAG reduction can be seen clearly from these two strain scales or x-axis scales. See the data of (BW, eAG): **Y12-16 = (179 lbs., 129 mg/dL); Y17-21 = (171 lbs., 112 mg/dL).**

(2) From the 2 eAG waveforms in TD, their 180-days moving average curve shapes are extremely different from each other. This indicates the 2 strain rates, eAG and BW, from the two 5-year periods along with the two stress-strain diagrams have contrasting appearances as well.

(3) The two eAG and BW values over the two 5-year periods are continuously dropping when time moves forward. This observed phenomenon provides a clue that the viscosity factors,  $\eta = eAG$  or  $BW$ , are decreasing as well when time moves forward. Therefore, the stress magnitudes of eAG and BW are decreasing in the first 5-year period to the second 5-year period since stress is the strain rate multiplied by the viscosity factor of  $\eta$ . See the eAG stress range or eAG x-axis scale: **Y12-16 = (-2.9 to -4.3); Y17-21 = (1.3 to -2.2).** The BW stress range or BW x-axis scale are: **Y12-16 = (-3.0 to -4.3); Y17-21 = (1.4 to -2.3).** One crucial observation is that the BW stress range is almost identical to the eAG stress range. This is a result of the normalized BW value (divided by 170) being almost identical to the normalized eAG value (divided by 120).

(4) The calculated 2 hysteresis loop areas are significantly reduced from the first 5-year period to the second 5-year period. The two-loop areas represent the associated relative energy of Cancer risk under the influence of eAG or BW within each period. See the eAG hysteresis loop areas: **Y12-16 = 42.8 and Y17-21 = 5.8;** the BW hysteresis loop areas: **Y13-15 = 41.2 and Y16-18 = 6.1.** Based on the above 4 loop areas, it is obvious that the **VGT energies for the Y12-16 period are about 7 times higher than the Y17-21 period.**

In summary, body weight influences glucose. The energy in glucose circulates with the blood flow inside the body. If we have excessive energy within the blood flow, it can damage internal organs and cause various types of complications, including a variety of cancers.

From this study of biomarker data analysis within a long 10-year time frame, which is further grouped into two



identical 5-year sub-periods, the energy ratios for each two sub-periods are listed in more detail:

- (1) Energy ratio using VGT method: eAG loop area ratio = 733% versus 100%; BW loop area ratio = 675% versus 100%.
- (2) Metabolism index-based cancer risk ratio of Y12-16 versus Y17-21 = 120%.
- (3) Collected average eAG ratio of Y12-16 versus Y17-21 = 115%.
- (4) Collected average BW ratio of Y12-16 versus Y17-21 = 105%.

The two energy ratios of cancer risk (eAG based and BW based) have similar patterns. When his body weight and daily glucose conditions are improved, his cancer risks are then reduced accordingly (by 20%); however, the associated energies with Cancer risks are reduced even more significantly (by 7 times). **It should be pointed out that his cancer risk was remarkably reduced in the second 5-year period when his eAG decreased below 120 mg/dL and his BW dropped to approximately 171 lbs. since the dividing year of Y2017.**

	Loop Area (eAG)	Loop Area (BW)	Avg. Cancer Risk%	Avg. eAG	Avg. BW
Y2012-Y2016	42.8	41.2	50	129	179
Y2017-Y2021	5.8	6.1	41	112	171
Ratio (Y12-16 / Y17-21)	733%	675%	120%	115%	105%

## Introduction

The author was a professional engineer working in the fields of the space shuttle, naval battleships, nuclear power plants, computer hardware and software, artificial intelligence, and semiconductor chips. After his retirement, he started to self-study and research internal medicine with an emphasis on biomarker relationships exploration and disease prevention. Since 2010, he has utilized the disciplines learned from 7 different universities along with various work experiences to formulate his current medical research work during the past 13 years.

In engineering and medicine, he discovered that we frequently seek answers, illustrations, or explanations for the relationships between the input variable (force applied on a structure or cause of a disease) and output variable (deformation of a structure or symptom of a disease). However, the multiple relationships between input and output could be expressed with many different matrix formats of  $1 \times 1$ ,  $1 \times n$ ,  $m \times 1$ , or  $m \times n$  ( $m$  or  $n$  means different multiple variables). In addition to these described mathematical complications, the output resulting from one or more inputs can also become an input of another output, which is a symptom of certain causes that can become a cause of another different symptom. This phenomenon is a complex scenario with “chain effects”. In fact, engineering and biomedical complications are fundamentally mathematical problems that correlate or conform with many inherent physical laws or principles.

Over the past 13 years, in his medical research, he has encountered more than 100 different sets of biomarkers with almost equal amounts of cause/input variables versus symptom/output variables. For example, food and exercise influence both body weight and glucose level, where persistent high glucose can result in diabetes. When diabetes combines with hypertension (high blood pressure) and hyperlipidemia (high blood lipids), it can cause cardiovascular diseases. Furthermore, obesity and diabetes are also linked with various kinds of cancers. These multiple sets of biomedical input versus output have been researched by the author using different tools he has learned from academic fields of mathematics, physics, computer science, and engineering.

For example, he has applied a signal processing technique to separate 19 components from the combined postprandial plasma glucose (PPG) wave. He identified the carbs/sugar intake amount and post-meal exercise as the two most important contributing factors to PPG formation. Based on these findings, he then applied the theory of elasticity to develop a linear elastic glucose theory (LEGT) to predict PPG value with high prediction accuracy, using fasting plasma glucose (FPG), carbs/sugar intake grams, and post-meal walking k-steps as three major input components of predicted PPG formation.

Furthermore, he took a specific PPG waveform in the time domain (TD) and applied the fast Fourier transform (FFT) technique to convert it into a waveform in the frequency domain (FD). The y-axis value in the frequency diagram indicates the magnitude of energy corresponding to a certain frequency component on the x-axis, while the total area underneath the frequency-energy curve is the total relative energy associated with this specific PPG wave. *He calls this relative energy the “frequency energy”.*

Recently, he has also applied theories of viscoelasticity and viscoplasticity (VGT) in physics and engineering to various biomedical problems and has written more than 50 biomedical research papers. This VGT application emphasizes the time-dependency characteristics of certain variables. In the medical field, most biomarkers are time-dependent since body organ cells are organic in nature and change all of the time. Incidentally, VGT can generate a stress-strain curve or cause-symptom curve (in physics, it is called the “*hysteresis loop*”), which area size can also be used to estimate the relative energy created during the uploading (e.g. digesting carbs/sugar) and unloading (e.g. walking exercise) process over the timespan of a PPG wave. *He calls this relative energy the “VGT energy”.*

Body weight (BW) is easily measured by using a bathroom scale. Weight in the early morning is highly correlated with fasting plasma glucose (FPG) or the average glucose during sleeping hours. FPG also serves as the baseline for postprandial plasma glucose (PPG) and contributes around 25% to 29% of daily

estimated average glucose (eAG). The daily average glucose levels or quarterly HbA1C values, and average eAG over the past 90-115 days, determine the severity of diabetes. This medical condition is one of the major influential chronic diseases that may increase certain risk factors for heart diseases, such as cardiovascular disease (CVD). Diabetes is also related to many types of cancers based on the common root causes, regardless of vast differences in symptoms.

Since 2012, the author has been collecting his BW and finger-piercing glucose values every day. In addition, he accumulates medical conditions data including blood pressure (BP), heart rate (HR), and blood lipids along with lifestyle details (LD). Based on the collected big data, he further organized them into two main groups. The first is the medical conditions group (MC) with 4 categories: weight, glucose, BP, and blood lipids. The second is the LD group with 6 categories: food & diet, exercise, water intake, sleep, stress, and daily routines. At first, he collected his data daily since Y2012 and then calculated a unique combined daily score for each of the 10 categories within the MC and LD groups. The combined scores of the 2 groups, 10 categories, and 500+ detailed elements constitute an overall "metabolism index (MI) model". This model includes the root causes of 6 major lifestyle inputs and symptoms from 4 rudimentary chronic diseases: obesity, diabetes, hypertension, and hyperlipidemia. Therefore, it can serve as the foundation and building block for his additional research work that can expand into various diseases associated with different organs, such as CVD and cancers.

As we know, lifestyle details cause rudimentary chronic diseases which further influence more complicated diseases, such as heart problems (CVD & CHD), chronic kidney disease (CKD), stroke, diabetic retinopathy (DR), neuropathy, hypothyroidism, diabetic constipation, diabetic skin fungal infection, and many others including cancers and dementia. Some genetic conditions and lifetime unhealthy habits, such as smoking, alcohol consumption, and illicit drug use would account for approximately 15% to 25% of the chronic disease root causes along with their complications, including cancers and dementia. Some external factors, environmental factors, and viral infections, such as radiation, air and water pollution, food poison and pollution, toxic chemicals, and hormonal therapy can also contribute to the causes of cancers.

*All of the above-mentioned diseases fall into the category of "symptoms" which are the outcomes of "root causes" of poor living environments and unhealthy lifestyles.*

*His calculated risk probability % for CVD, stroke and various cancers have differences in their root-cause variables, their associated weighting factors, and certain biomedical assumptions. Specifically, the CVD/Stroke risk includes two major scenarios that combine emphasized weighting factors, **blood vessel blockage due to blood glucose and blood lipids, and blood vessel rupture caused by blood glucose and BP. However, the cancer risk also consists of additional influential factors from environmental conditions and viral infections, on top of genetic conditions, 3-lifetime unhealthy habits, 4 chronic medical conditions, and 6 lifestyle details that are identical to the CVD risk.***

Since December 2021, the author has applied theories of viscoelasticity and viscoplasticity (VGT) from physics and engineering disciplines to investigate more than 50 sets of input/output biomarkers. His purpose is to identify certain hidden relationships between output biomarkers, e.g. CVD risk or Cancer risk, and their corresponding input biomarkers, such as eAG, FPG, and BW measured either during sleeping hours or in the early morning.

The hidden biophysical behaviors and possible inter-relationships among these three biomarkers, CVD or stroke risk vs. eAG and BW, are "time-dependent" and change from time to time. This important time-dependency characteristic provides insight on the CVD/Cancer risk's moving pattern. It covers curve shape, the associated energy created or stored inside during the process of stress up-loading (moving upward or increasing) and stress down-loading (moving downward or decreasing) of the input biomarkers of eAG or BW along with the output biomarker of CVD or Cancer risk %.

The purpose of this research article is to explore a possible link between Cancer risk probability percentage (Cancer risk %) versus daily estimated average glucose (eAG) or body weight (BW) in the early morning, using the VGT model. In this article, he selects 10 years of collected data and then groups them into two 5-year periods, Y2012-Y2016 and Y2017-Y2021. Within each period, he uses 5 individual annual data. This selected dataset contains 3 key biomarkers, Cancer risk % as the symptom (output) and daily estimated average glucose (eAG) or BW in the early morning as the causes (inputs) to conduct his VGT analysis. Now, he can apply VGT specifically to construct 2 stress-strain diagrams with 2 hysteresis loop areas that correspond to the energy status from the input variable of both eAG and BW. The purpose of this study is to obtain and compare the calculated relative energy levels in each period using the VGT energy approach.

The following defined stress and strain equations are used to establish the VGT stress-strain diagram in a space domain (SD):

**VGT strain**  
=  $\varepsilon$  (symptom)  
= *individual symptom at the present time*

**VGT Stress**  
=  $\sigma$  (based on the change rate of strain, symptom, multiplying with one or more viscosity factors or causes)  
=  $\eta * (d\varepsilon/dt)$   
=  $\eta * (d\text{-strain}/d\text{-time})$   
= (viscosity factor  $\eta$  using normalized cause at present time) \* (symptom at present time - symptom at a previous time)

Where the strain is his Cancer risk % and the stress is his Cancer risk change rate multiplying with his eAG or BW as two viscosity factors.

In this study, he uses 120 mg/dL and 170 lbs. as his normalization factors for eAG and BW respectively. 120 mg/dL is the dividing line between diabetes-free and pre-diabetes and 170 lbs. determines his BMI at 25.0.

To offer a simple explanation to readers who do not have a physics or engineering background, the author includes a brief excerpt from Wikipedia regarding the description of basic concepts for elasticity and plasticity theories, viscoelasticity, and viscoplasticity theories from the disciplines of engineering and physics in the Method section.

## Methods

### Elasticity, Plasticity, Viscoelasticity, and Viscoplasticity

#### The Difference Between Elastic Materials and Viscoelastic Materials

(from "Soborthans, innovating shock and vibration solutions")

#### What are Elastic Materials?

Elasticity is the tendency of solid materials to return to their original shape after forces are applied on them. When the forces are removed, the object will return to its initial shape and size if the material is elastic.

#### What are Viscous Materials?

Viscosity is a measure of a fluid's resistance to flow. A fluid with large viscosity resists motion. A fluid with low viscosity flows. For example, water flows more easily than syrup because it has a lower viscosity. High viscosity materials might include honey, syrups, or gels – generally, things that resist flow. Water is a low viscosity material, as it flows readily. Viscous materials are thick or sticky or adhesive. Since heating reduces viscosity, these materials don't flow easily. For example, warm syrup flows more easily than cold.

#### What is Viscoelastic?

Viscoelasticity is the property of materials that exhibit both viscous and elastic characteristics when undergoing deformation. Synthetic polymers, wood, and human tissue, as well as metals at high temperature, display significant viscoelastic effects. In some applications, even a small viscoelastic response can be significant.

#### Elastic Behavior Versus Viscoelastic Behavior

The difference between elastic materials and viscoelastic materials is that viscoelastic materials have a viscosity factor and the elastic ones don't. Because viscoelastic materials have the viscosity factor, they have a strain rate dependent on time. Purely elastic materials do not dissipate energy (heat) when a load is applied, then removed; however, a viscoelastic substance does.

The following brief introductions are excerpts from Wikipedia:

#### "Elasticity (Physics)

The physical property is when materials or objects return to their original shape after deformation

In physics and materials science, **elasticity** is the ability of a body to resist a distorting influence and to return to its original size and shape when that influence or force is removed. Solid objects will deform when adequate loads are applied to them; if the material is elastic, the object will return to its initial shape and size after removal. This is in contrast to plasticity, in which the

object fails to do so and instead remains in its deformed state. The physical reasons for elastic behavior can be quite different for different materials. In metals, the atomic lattice changes size and shape when forces are applied (energy is added to the system). When forces are removed, the lattice goes back to the original lower energy state. For rubbers and other polymers, elasticity is caused by the stretching of polymer chains when forces are applied.

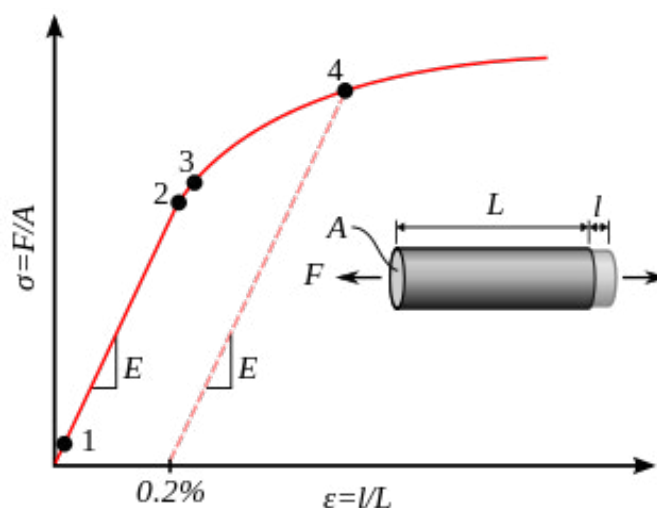
Hooke's law states that the force required to deform elastic objects should be directly proportional to the distance of deformation, regardless of how large that distance becomes. This is known as perfect elasticity, in which a given object will return to its original shape no matter how strongly it is deformed. This is an ideal concept only; most materials that possess elasticity in practice remain purely elastic only up to very small deformations, after which plastic (permanent) deformation occurs.

In engineering, the elasticity of a material is quantified by the elastic modulus such as Young's modulus, bulk modulus, or shear modulus which measure the amount of stress needed to achieve a unit of strain; a higher modulus indicates that the material is harder to deform. The material's elastic limit or yield strength is the maximum stress that can arise before the onset of plastic deformation.

#### Plasticity (Physics)

Deformation of a solid material undergoing non-reversible changes of shape in response to applied forces.

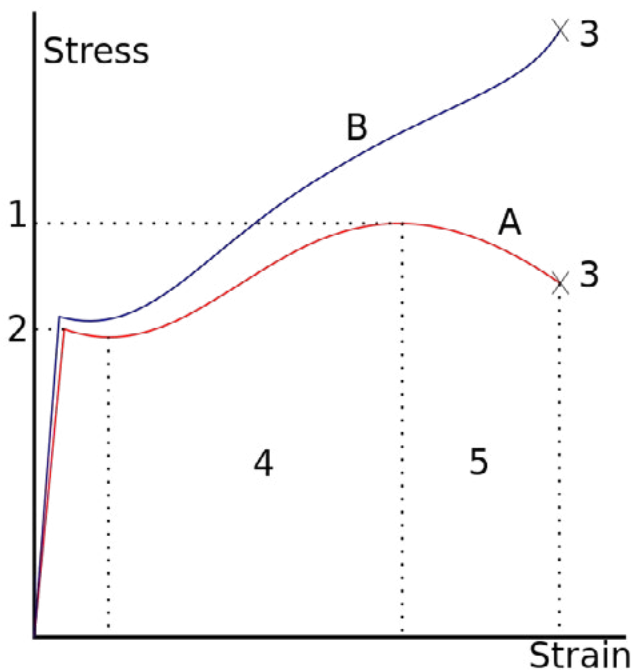
In physics and materials science, **plasticity**, also known as **plastic deformation**, is the ability of a solid material to undergo permanent deformation, a non-reversible change of shape in response to applied forces. For example, a solid piece of metal being bent or pounded into a new shape displays plasticity as permanent changes occur within the material itself. In engineering, the transition from elastic behavior to plastic behavior is known as yielding.



A stress-strain curve showing typical yield behavior for nonferrous alloys.

1. True elastic limit
2. Proportionality limit
3. Elastic limit
4. Offset yield strength





A stress-strain curve is typical of structural steel.

- 1: Ultimate strength
- 2: Yield strength (yield point)
- 3: Rupture
- 4: Strain hardening region
- 5: Necking region
- A: Apparent stress ( $F/A_0$ )
- B: Actual stress ( $F/A$ )

Plastic deformation is observed in most materials, particularly metals, soils, rocks, concrete, and foams. However, the physical mechanisms that cause plastic deformation can vary widely. At a crystalline scale, plasticity in metals is usually a consequence of dislocations. Such defects are relatively rare in most crystalline materials, but are numerous in some and part of their crystal structure; in such cases, plastic crystallinity can result. In brittle materials such as rock, concrete, and bone, plasticity is caused predominantly by slip at microcracks. In cellular materials such as liquid foams or biological tissues, plasticity is mainly a consequence of bubble or cell rearrangements, notably TI processes.

For many ductile metals, tensile loading applied to a sample will cause it to behave in an elastic manner. Each increment of load is accompanied by a proportional increment in extension. When the load is removed, the piece returns to its original size. However, once the load exceeds a threshold – the yield strength – the extension increases more rapidly than in the elastic region; now when the load is removed, some degree of extension will remain. Elastic deformation, however, is an approximation and its quality depends on the time frame considered and loading speed. If, as indicated in the graph opposite, the deformation includes elastic deformation, it is also often referred to as "elasto-plastic deformation" or "elastic-plastic deformation".

Perfect plasticity is a property of materials to undergo irreversible deformation without any increase in stresses or loads. Plastic materials that have been hardened by prior deformation, such as cold forming, may need increasingly higher stresses to deform further. Generally, plastic deformation is also dependent on the deformation speed, i.e. higher stresses usually have to be applied to increase the rate of deformation. Such materials are said to deform visco-plastically."

### Viscoelasticity

Property of materials with both viscous and elastic characteristics under deformation.

In materials science and continuum mechanics, viscoelasticity is the property of materials that exhibit both viscous and elastic characteristics when undergoing deformation. Viscous materials, like water, resist shear flow and strain linearly with time when a stress is applied. Elastic materials strain when stretched and immediately return to their original state once the stress is removed.

Viscoelastic materials have elements of both of these properties and, as such, exhibit time-dependent strain. Whereas elasticity is usually the result of bond stretching along crystallographic planes in an ordered solid, viscosity is the result of the diffusion of atoms or molecules inside an amorphous material.

In the nineteenth century, physicists such as Maxwell, Boltzmann, and Kelvin researched and experimented with creep and recovery of glasses, metals, and rubbers. Viscoelasticity was further examined in the late twentieth century when synthetic polymers were engineered and used in a variety of applications. Viscoelasticity calculations depend heavily on the viscosity variable,  $\eta$ . The inverse of  $\eta$  is also known as fluidity,  $\phi$ . The value of either can be derived as a function of temperature or as a given value (i.e. for a dashpot).

Depending on the change of strain rate versus stress inside a material, the viscosity can be categorized as having a linear, non-linear, or plastic response. When a material exhibits a linear response it is categorized as a Newtonian material. In this case, the stress is linearly proportional to the strain rate. If the material exhibits a non-linear response to the strain rate, it is categorized as Non-Newtonian fluid. There is also an interesting case where the viscosity decreases as the shear/strain rate remains constant. A material that exhibits this type of behavior is known as thixotropic. In addition, when the stress is independent of this strain rate, the material exhibits plastic deformation. Many viscoelastic materials exhibit rubber-like behaviors explained by the thermodynamic theory of polymer elasticity.

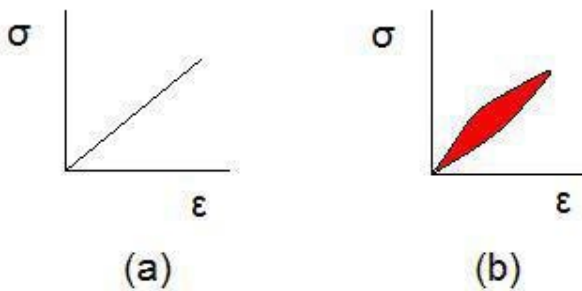
Cracking occurs when the strain is applied quickly and outside of the elastic limit. Ligaments and tendons are viscoelastic, so the extent of the potential damage to them depends both on the rate of the change of their length as well as on the force applied.

A viscoelastic material has the following properties:

- hysteresis is seen in the stress-strain curve
- stress relaxation occurs: step constant strain causes decreasing stress

- **creep occurs: step constant stress causes increasing strain**
- **its stiffness depends on the strain rate or the stress rate.**

#### Elastic Versus Viscoelastic Behavior



Stress-strain curves for a purely elastic material (a) and a viscoelastic material (b). The red area is a hysteresis loop and shows the amount of energy lost (as heat) in a loading and unloading cycle. It is equal to

$$\oint \sigma d\epsilon$$

where  $\sigma$  is stress and  $\epsilon$  is strain.

Unlike purely elastic substances, a viscoelastic substance has an elastic component and a viscous component. **The viscosity of a viscoelastic substance gives the substance a strain rate dependence on time.** Purely elastic materials do not dissipate energy (heat) when a load is applied, then removed. However, a viscoelastic substance dissipates energy when a load is **applied, then removed. Hysteresis is observed in the stress-strain curve, with the area of the loop being equal to the energy lost during the loading cycle.** Since viscosity is the resistance to thermally activated plastic deformation, a viscous material will lose energy through a loading cycle. Plastic deformation results in lost energy, which is uncharacteristic of a purely elastic material's reaction to a loading cycle.

Specifically, viscoelasticity is a molecular rearrangement. When a stress is applied to a viscoelastic material such as a polymer, parts of the long polymer chain change positions. This movement or rearrangement is called “**creep**”. Polymers remain a solid material even when these parts of their chains are rearranging in order to accompany the stress, and as this occurs, it creates a back stress in the material. When the back stress is the same magnitude as the applied stress, the material no longer creeps. When the original stress is taken away, the accumulated back stresses will cause the polymer to return to its original form. **The material creeps, which gives the prefix visco-, and the material fully recovers, which gives the suffix -elasticity.**

#### Viscoplasticity

Viscoplasticity is a theory in continuum mechanics that describes the rate-dependent inelastic behavior of solids. Rate-dependence in this context means that the deformation of the material depends on the rate at which loads are applied. The inelastic behavior that is the subject of viscoplasticity is plastic deformation which means that the material undergoes unrecoverable deformations when a load level is reached. Rate-dependent plasticity is important for transient plasticity calculations.

The main difference between rate-independent plastic and viscoplastic material models is that the latter exhibit not only permanent deformations after the application of loads but continue to undergo a creep flow as a function of time under the influence of the applied load.

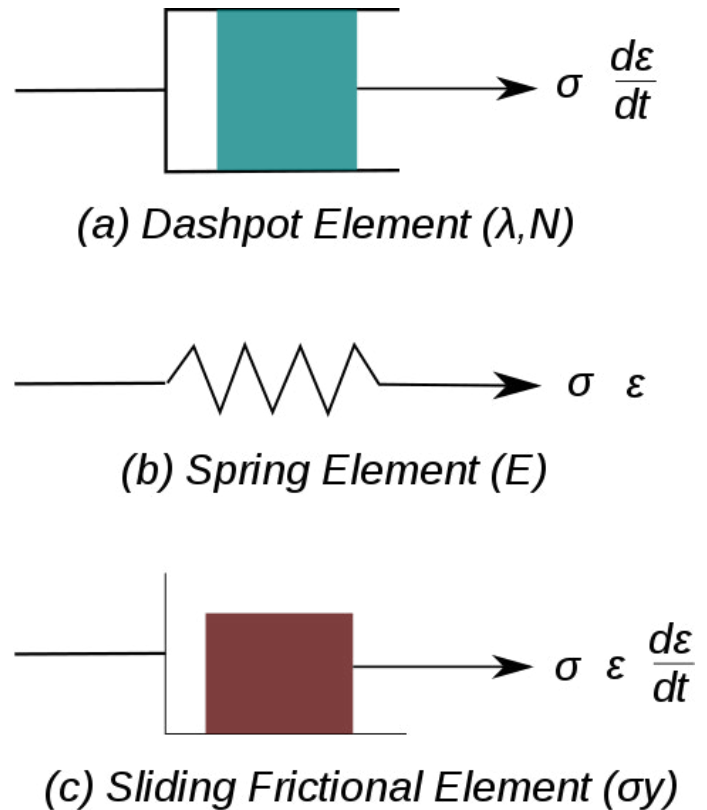


Figure 1. Elements used in one-dimensional models of viscoplastic materials.

The elastic response of viscoplastic materials can be represented in one dimension by Hookean spring elements. Rate-dependence can be represented by nonlinear dashpot elements in a manner similar to viscoelasticity. Plasticity can be accounted for by adding sliding frictional elements as shown in Figure 1. In Figure E is the modulus of elasticity,  $\lambda$  is the viscosity parameter and  $N$  is a power-law type parameter that represents non-linear dashpot [ $\sigma(d\epsilon/dt) = \sigma = \lambda(d\epsilon/dt)(1/N)$ ]. The sliding element can have a yield stress ( $\sigma_y$ ) that is strain rate dependent, or even constant, as shown in Figure 1c.

Viscoplasticity is usually modeled in three dimensions using overstress models of the Perzyna or Duvaut-Lions types. In these models, the stress is allowed to increase beyond the rate-independent yield surface upon application of a load and then allowed to relax back to the yield surface over time. The yield surface is usually assumed not to be rate-dependent in such models. An alternative approach is to add a strain rate dependence to the yield stress and use the techniques of rate-independent plasticity to calculate the response of a material

For metals and alloys, viscoplasticity is the macroscopic behavior caused by a mechanism linked to the movement of dislocations in grains, with superposed effects of inter-crystalline slid-



ing. The mechanism usually becomes dominant at temperatures greater than approximately one-third of the absolute melting temperature. However, certain alloys exhibit viscoplasticity at room temperature (300K). For polymers, wood, and bitumen, the theory of viscoplasticity is required to describe behavior beyond the limit of elasticity or viscoelasticity.

In general, viscoplasticity theories are useful in areas such as

- the calculation of permanent deformations,
- the prediction of the plastic collapse of structures,
- the investigation of stability,
- crash simulations,
- systems exposed to high temperatures such as turbines in engines, e.g. a power plant,
- dynamic problems and systems exposed to high strain rates.

### Phenomenology

For qualitative analysis, several characteristic tests are performed to describe the phenomenology of viscoplastic materials. Some examples of these tests are

Some examples of these tests are

1. hardening tests at constant stress or strain rate,
2. creep tests at constant force, and
3. stress relaxation at constant elongation.

### Strain Hardening Test

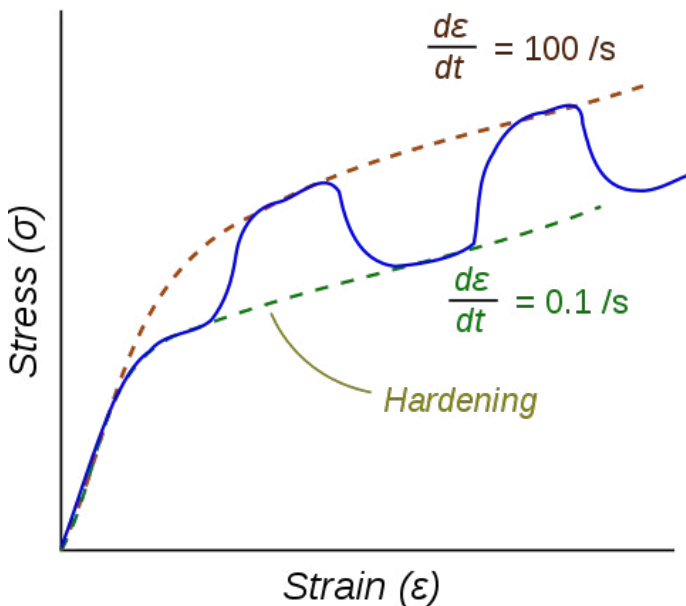


Figure 2. Stress-strain response of a viscoplastic material at different strain rates.

The dotted lines show the response if the strain rate is held constant. The blue line shows the response when the strain rate is changed suddenly.

One consequence of yielding is that as plastic deformation proceeds, an increase in stress is required to produce additional strain. This phenomenon is known as Strain/Work hardening. For a viscoplastic material, the hardening curves are not significantly different from those of rate-independent plastic material. Nevertheless, three essential differences can be observed.

1. At the same strain, the higher the rate of strain the higher the stress

2. A change in the rate of strain during the test results in an immediate change in the stress-strain curve.
3. The concept of a plastic yield limit is no longer strictly applicable.

The hypothesis of partitioning the strains by decoupling the elastic and plastic parts is still applicable where the strains are small, i.e.,

$$\epsilon = \epsilon_e + \epsilon_{vp}$$

where  $\epsilon_e$  is the elastic strain and  $\epsilon_{vp}$  is the viscoplastic strain.

To obtain the stress-strain behavior shown in blue in the figure, the material is initially loaded at a strain rate of 0.1/s. The strain rate is then instantaneously raised to 100/s and held constant at that value for some time. At the end of that period, the strain rate is dropped instantaneously back to 0.1/s and the cycle is continued for increasing values of strain. There is clearly a lag between the strain-rate change and the stress response. This lag is modeled quite accurately by overstress models (such as the Perzyna model) but not by models of rate-independent plasticity that have rate-dependent yield stress.”

### Hysteresis and Avalanches

(from Professor James Sethna, physical science department of Cornell University)

Physicists in the US usually hear about hysteresis first in their sophomore or junior year. You likely won't hear about hysteresis again in your courses. It was an unpopular subject for decades. Experimentalists generally tried to get rid of it, so they could get publishable equilibrium, data. Theorists cringed from thinking about non-equilibrium, dirty materials with long-range elastic or magnetic forces. But styles change: dirt and non-equilibrium are now a major focus of research in physics.

What's gotten us excited is the noise found in hysteresis loops. Even though they look smooth, hysteresis loops often consist of many small jumps. These jumps can be thought of as the jerk motion of a domain boundary, or as an avalanche of many local spins or domains.

### Perturbation Theory

This article is about perturbation theory as a general mathematical method. In mathematics and applied mathematics, **perturbation theory** comprises methods for finding an approximate solution to a problem, by starting from the exact solution of a related, simpler problem. A critical feature of the technique is a middle step that breaks the problem into "solvable" and "perturbative" parts. In perturbation theory, the solution is expressed as a power series in a small parameter  $\epsilon$ . The first term is the known solution to the solvable problem. Successive terms in the series at higher powers of  $\epsilon$  usually become smaller. An approximate 'perturbation solution' is obtained by truncating the series, usually by keeping only the first two terms, the solution to the known problem and the 'first order' perturbation correction.”

## Perturbation Theory of Quantum Mechanics or Modern Physics

The author applies the first-order interpolation perturbation method to obtain his “perturbed PPG” waveforms based on one selected carbs/sugar intake amount functioning as the **perturbation factors**, which is the “Slope”. He uses the “measured PPG” waveform as his reference or baseline waveform.

The following polynomial function is used as the perturbation equation:

$$A = f(x) = A_0 + (A_1 * x) + (A_2 * x^{**2}) + (A_3 * x^{**3}) + \dots + (A_n * x^{**n})$$

Where *A* is the perturbed glucose, *A<sub>i</sub>* is the measured glucose, and *x* is the perturbation factor based on a chosen carbs/sugar intake amount.

For this particular study, he chooses his *A<sub>i</sub>* as *A<sub>1</sub>*, where *i=1*. In this way, the above equation can then be simplified into the first-order perturbation equation as follows:

$$A = f(x) = A_0 + (A_1 * x)$$

Or the first-order interpolation perturbation equation can also be expressed in the following general format:

$$A_i = A_1 + (A_2 - A_1) * (\text{slope } 1)$$

Where:

*A<sub>1</sub>* = original risk *A* at year 1

*A<sub>2</sub>* = advanced risk *A* at year 2

$(A_2 - A_1)$  = (Risk *A* at Year 2 - Risk *A* at Year 1)

The perturbation factor or **Slope** is an arbitrarily selected parameter that controls the size of the perturbation. The author has chosen a function of the HbA1C value, as his perturbation factor or slope, which is further defined below:

In this particular study, he would like to use the “perturbation factor” as the combined factor of 77% of MI and 23% of GF.

He selects the lowest value of the combined MI+GF as the low-bound value and the highest value of the combined MI+GF as the high-bound value while using their mid-point value as his selected value.

Then the “slope” becomes:

$$\text{Slope} = (\text{Selected value} - \text{Low-bound value}) / (\text{High-bound value} - \text{Low-bound value})$$

## Results

Figure 1 shows two stress-strain diagrams for *Cancer risk versus eAG and BW* over two 5-year periods with a data comparison table.

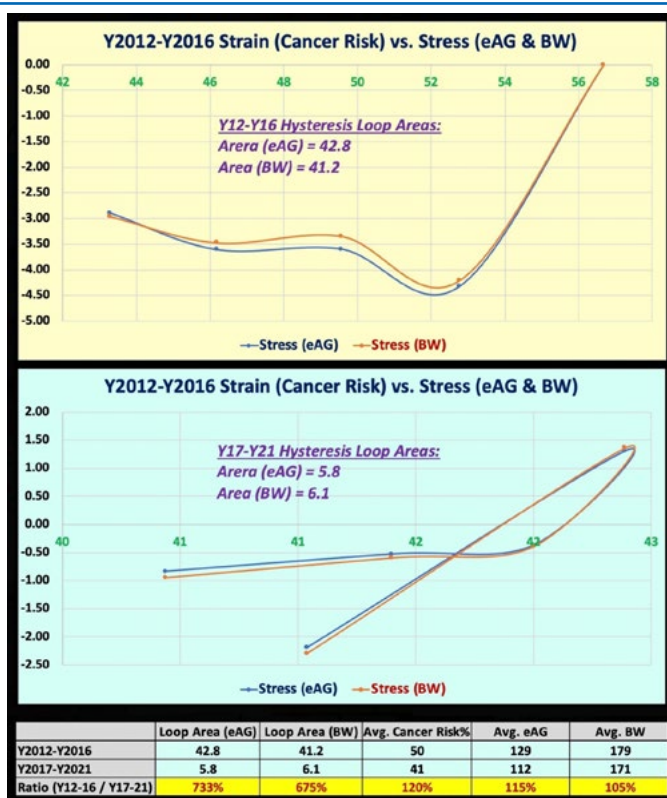


Figure 1: Two stress-strain diagrams for *Cancer risk versus eAG and BW* over two 5-year periods with a data comparison table

4/7/22	Viscosity 1	Viscosity 2	Cancer Risk %				
Cancer vs. eAG & BW	eAG	BW	Strain (Cancer %)	Stress (eAG)	Stress (BW)	Area (eAG)	Area (BW)
Y2012	128	189	57	0.00	0.00	0.00	0.00
Y2013	133	183	53	-4.33	-4.21	8.49	8.25
Y2014	135	177	50	-3.60	-3.35	12.73	12.13
Y2015	129	175	46	-3.61	-3.48	12.16	11.50
Y2016	119	173	43	-2.90	-2.96	9.47	9.37
Average or Sum	129	179	50	-2.89	-2.80	42.8	41.2
				Stress Ratio =	103%	Area Ratio =	104%
4/7/22	Viscosity 1	Viscosity 2	Cancer Risk %				
Cancer vs. eAG & BW	eAG	BW	Strain (Cancer %)	Stress (eAG)	Stress (BW)	Area (eAG)	Area (BW)
Y2017	117	174	41	-2.19	-2.30	5.70	5.89
Y2018	116	171	42	1.31	1.36	-0.60	-0.63
Y2019	114	173	42	-0.37	-0.40	-0.18	-0.19
Y2020	106	170	41	-0.53	-0.60	0.27	0.30
Y2021	105	169	40	-0.84	-0.95	0.66	0.74
Average or Sum	112	171	41	-0.52	-0.58	5.8	6.1
				Stress Ratio =	91%	Area Ratio =	96%
	Loop Area (eAG)	Loop Area (BW)	Avg. Cancer Risk%	Avg. eAG	Avg. BW		
Y2012-Y2016	42.8	41.2	50	129	179		
Y2017-Y2021	5.8	6.1	41	112	171		
Ratio (Y12-16 / Y17-21)	733%	675%	120%	115%	105%		

Figure 2: Supporting data table

## Conclusion

In conclusion, the following four described biophysical characteristics have demonstrated the key behaviors of cancer risk using the VGT energy approach:

(1) When body weight drops continuously over the two 5-year periods, his eAG also decreases accordingly. This eAG reduction can be seen clearly from these two strain scales or x-axis scales. See the data of (BW, eAG): *Y12-16* = (179 lbs., 129 mg/dL); *Y17-21* = (171 lbs., 112 mg/dL).

(2) From the 2 eAG waveforms in TD, their 180-days moving average curve shapes are extremely different from each other. This indicates the 2 strain rates, eAG and BW, from the two 5-year periods along with the two stress-strain diagrams have contrasting appearances as well.

(3) The two eAG and BW values over the two 5-year periods are continuously dropping when time moves forward. This observed phenomenon provides a clue that the viscosity factors,  $\eta$  = eAG or BW, are decreasing as well when time moves forward. Therefore, the stress magnitudes of eAG and BW are decreasing in the first 5-year period to the second 5-year period since stress is the strain rate multiplied by the viscosity factor of  $\eta$ . See the eAG stress range or eAG x-axis scale: **Y12-16 = (-2.9 to -4.3); Y17-21 = (1.3 to -2.2)**. The BW stress range or BW x-axis scale are: **Y12-16 = (-3.0 to -4.3); Y17-21 = (1.4 to -2.3)**. *One crucial observation is that the BW stress range is almost identical to the eAG stress range. This is a result of the normalized BW value (divided by 170) being almost identical to the normalized eAG value (divided by 120).*

(4) The calculated 2 hysteresis loop areas are significantly reduced from the first 5-year period to the second 5-year period. The two-loop areas represent the associated relative energy of Cancer risk under the influence of eAG or BW within each period. See the eAG hysteresis loop areas: **Y12-16 = 42.8** and **Y17-21 = 5.8**; the BW hysteresis loop areas: **Y13-15 = 41.2** and **Y16-18 = 6.1**. Based on the above 4 loop areas, it is obvious that the VGT energies for **the Y12-16 period are about 7 times higher than the Y17-21 period.**

*In summary, body weight influences glucose. The energy in glucose circulates with the blood flow inside the body. If we have excessive energy within the blood flow, it can damage internal organs and cause various types of complications, including a variety of cancers.*

From this study of biomarker data analysis within a long 10-year time frame, which is further grouped into two identical 5-year

sub-periods, the energy ratios for each two sub-periods are listed in more detail:

- (1) *Energy ratio using VGT method: eAG loop area ratio = 733% versus 100%; BW loop area ratio = 675% versus 100%.*
- (2) *Metabolism index-based cancer risk ratio of Y12-16 versus Y17-21 = 120%.*
- (3) *Collected average eAG ratio of Y12-16 versus Y17-21 = 115%.*
- (4) *Collected average BW ratio of Y12-16 versus Y17-21 = 105%.*

*The two energy ratios of cancer risk (eAG based and BW based) have similar patterns. When his body weight and daily glucose conditions are improved, his cancer risks are then reduced accordingly (by 20%); however, the associated energies with Cancer risks are reduced even more significantly (by 7 times). **It should be pointed out that his cancer risk was remarkably reduced in the second 5-year period when his eAG decreased below 120 mg/dL and his BW dropped to approximately 171 lbs. since the dividing year of Y2017.***

## References

For editing purposes, the majority of the references in this paper, which are self-references, have been removed. Only references from other authors' published sources remain. The bibliography of the author's original self-references can be viewed at [www.eclaircmd.com](http://www.eclaircmd.com).

Readers may use this article as long as the work is properly cited, their use is educational and not for profit, and the author's original work is not altered.

**Copyright:** ©2022 Gerald C. Hsu. This is an open-access article distributed under the terms of the Creative Commons Attribution License, which permits unrestricted use, distribution, and reproduction in any medium, provided the original author and source are credited.